



RAZER RIPSAW HD

MASTER GUIDE

Introducing **Razer Ripsaw HD**, a dedicated game capture card designed to complement your dedicated streaming PC for pro-grade streaming on console and PC setups. With the ability to produce high quality, detailed footage and crisp audio, your gameplay looks just as good to your audience as it does to you.

CONTENTS

1. WHAT'S INSIDE / WHAT'S NEEDED.....	3
2. LET'S GET YOU COVERED	4
3. TECHNICAL SPECIFICATIONS.....	5
4. EXPLORING YOUR GAME CAPTURE CARD	6
5. SETTING UP YOUR RAZER RIPSAW HD.....	7
6. INSTALLING RAZER SYNAPSE 3 FOR YOUR RAZER RIPSAW HD	10
7. CONFIGURING YOUR RAZER RIPSAW HD VIA RAZER SYNAPSE 3.....	11
8. SAFETY AND MAINTENANCE.....	15
9. LEGALESE	16

1. WHAT'S INSIDE / WHAT'S NEEDED

WHAT'S INSIDE

- Razer Ripsaw HD game capture card
- USB 3.0 Type-C to Type-A cable
- HDMI cable
- 3.5 mm audio cable
- Important Product Information Guide

WHAT'S NEEDED

PRODUCT REQUIREMENTS*

- PC (Windows® 8 64-bit or higher) with a free USB 3.0 port
- CPU:
 - a. Desktop – Intel® Core™ i3-6100 (or higher)
 - b. Laptop – Intel® Core™ i7-4810MQ (or higher)
- GPU:
 - a. Desktop – NVIDIA® GeForce® GTX 660 (or higher)
 - b. Laptop – NVIDIA® GeForce® GTX 870M (or higher)
- Memory: 4 GB minimum (8 GB recommended)

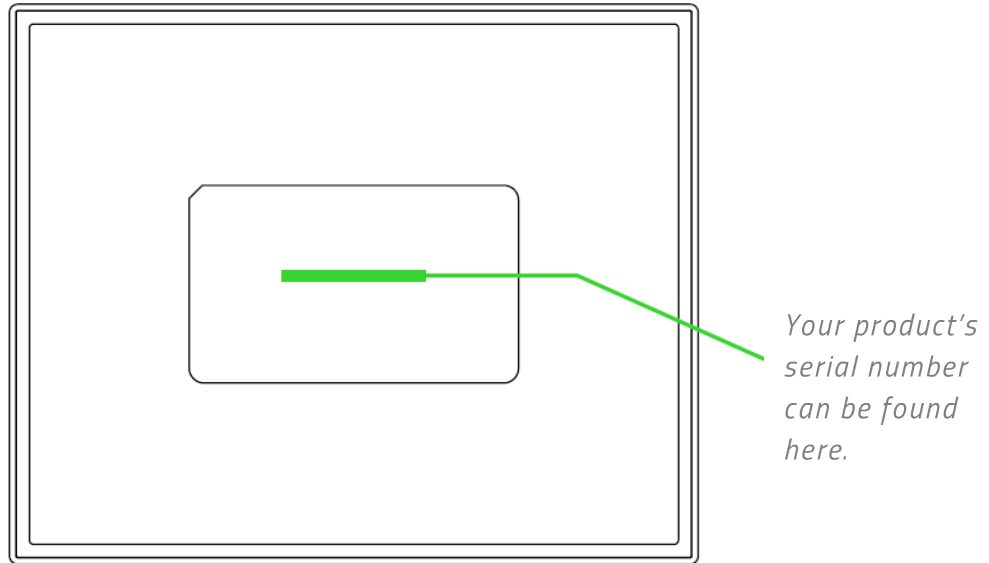
RAZER SYNAPSE 3 REQUIREMENTS

- 500 MB of free hard disk space
- Internet connection

**Compatible with Mixer, Streamlabs OBS, OBS, Twitch, XSplit and Youtube.*

2. LET'S GET YOU COVERED

You've got a great device in your hands, complete with a 1-year limited warranty coverage. Now maximize its potential and score exclusive Razer benefits by registering at razerid.razer.com



Got a question? Ask the Razer Support Team at support.razer.com

3. TECHNICAL SPECIFICATIONS

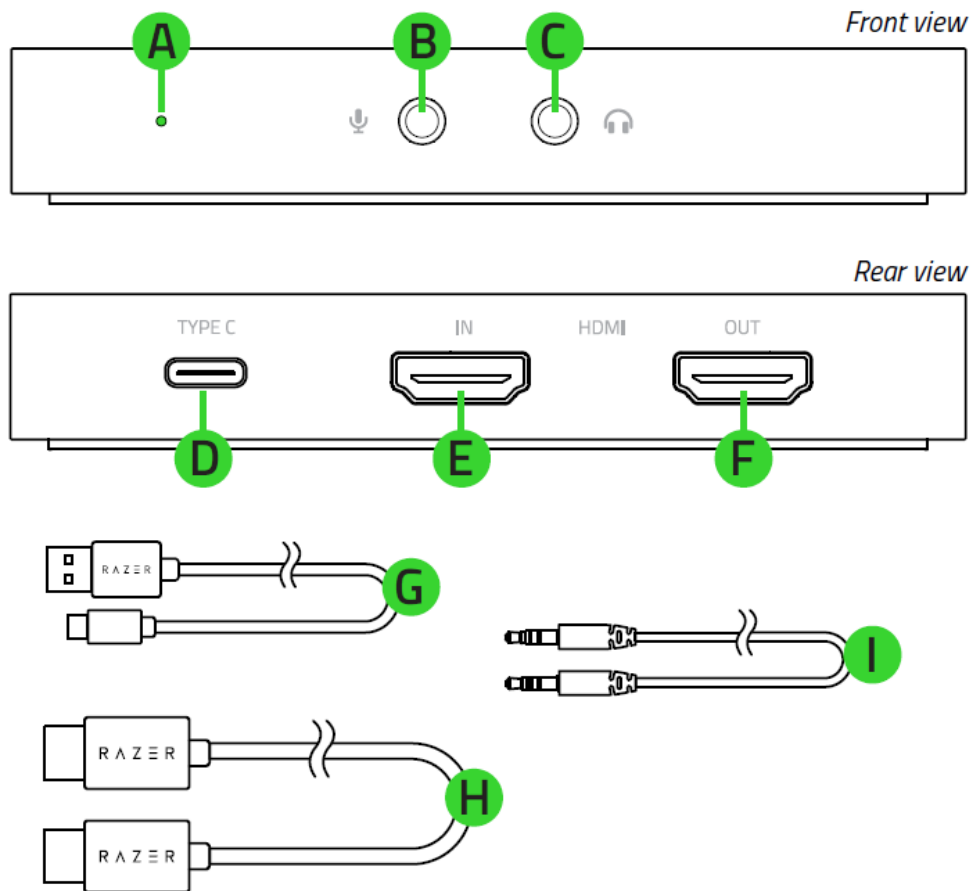
FEATURES

- Max capture resolution: Uncompressed 1080p 60 FPS
- Interface: USB 3.0 only
- Video Input: Digital – HDMI 2.0
- Audio Input: Digital – HDMI
- Audio Mix-in Input
 - 3.5 mm Mic-in
 - 3.5 mm Aux-in
- Video Output: HDMI 2.0
- Maximum Supported Pass-Through Resolution: 2160p 60Hz
- Other Supported Resolutions: 2160p, 1080p, 1440p, 720p, 480p

APPROXIMATE SIZE & WEIGHT

- Length: 105 mm / 4.13 in
- Width: 85 mm / 3.35 in
- Height: 16 mm / 0.63 in
- Weight: 150 g / 0.33 lbs

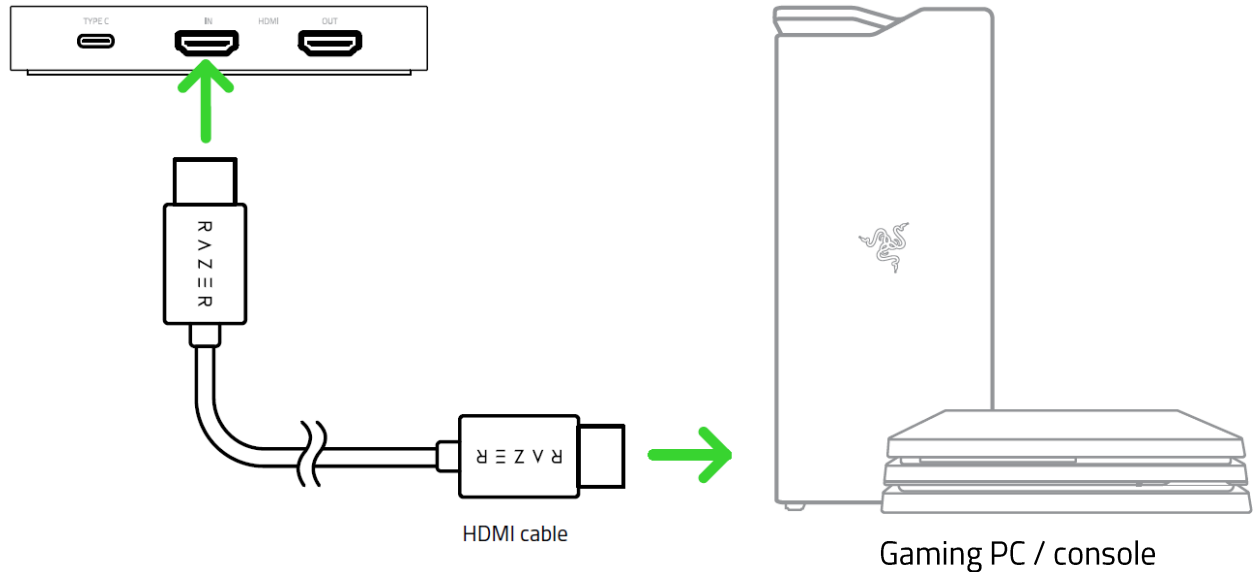
4. EXPLORING YOUR GAME CAPTURE CARD



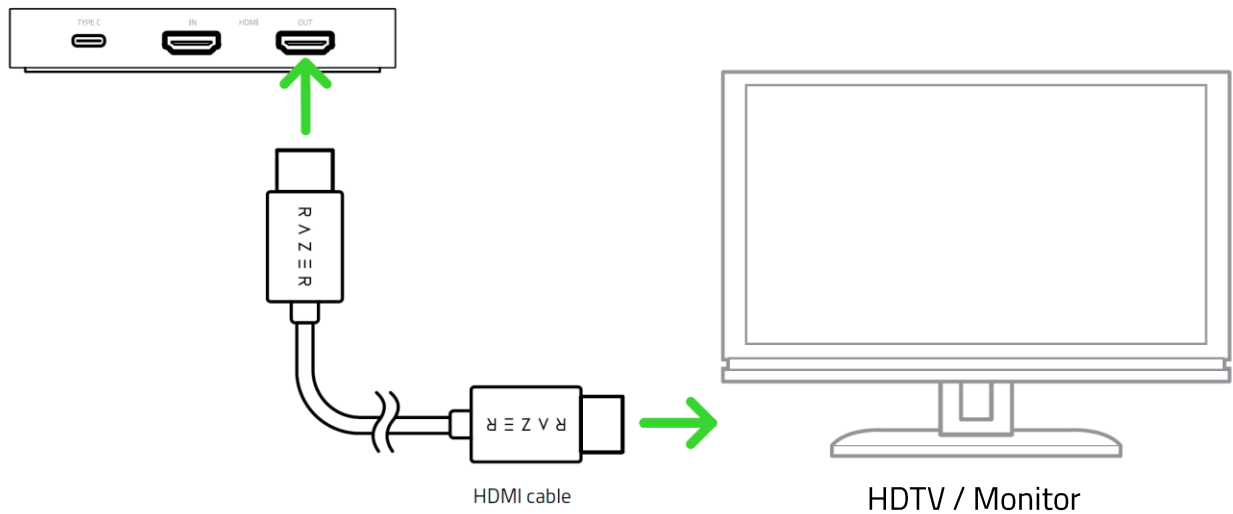
- A. Status indicator
- B. Microphone input port
- C. Headphone port
- D. Type C port
- E. HDMI input port
- F. HDMI pass-through port
- G. USB 3.0 Type-C to Type-A cable
- H. HDMI cable
- I. 3.5 mm audio cable

5. SETTING UP YOUR RAZER RIPS AW HD

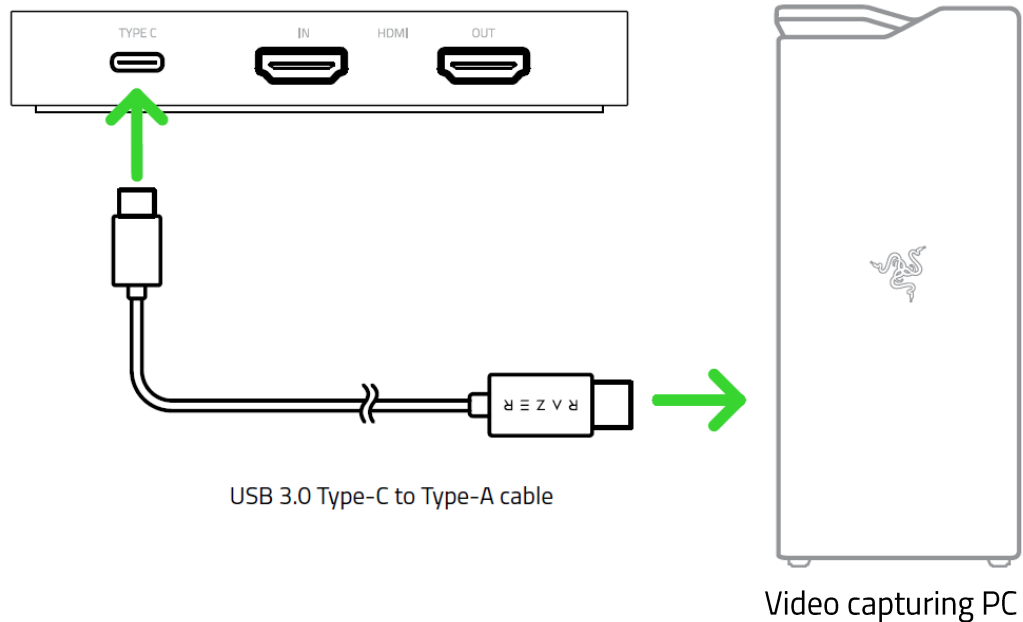
1. Connect the included HDMI cable from the HDMI port of your gaming PC or gaming console to the HDMI input port of the Razer Ripsaw HD.



2. Connect an HDMI cable (not included) from the HDTV or monitor to the HDMI pass-through port of the Razer Ripsaw HD.

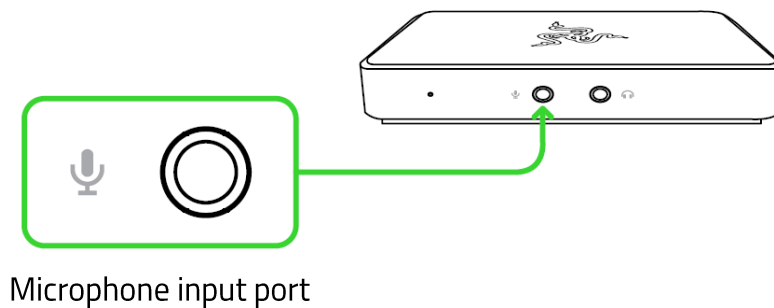


3. Connect the included USB 3.0 Type-C to Type-A cable from the USB 3.0 port of your video capturing PC to the Type C port of the Razer Ripsaw HD. The status indicator of your Razer Ripsaw HD will light up to indicate that it is now powered on.

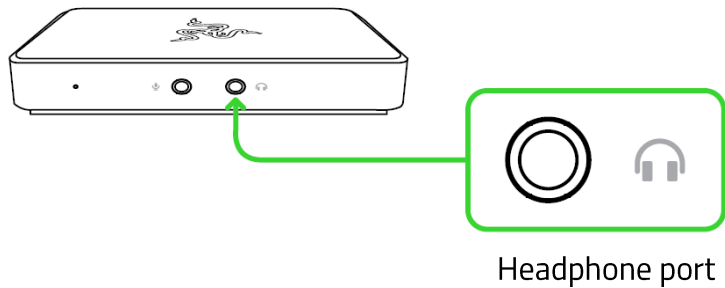


! *The output of your captures are heavily reliant on the performance of the PC you're using the game capture card on. Although optional, it is recommended that you use a separate PC for video captures, as using the same PC for both gaming and video capture may result in unwanted image artifacts due to their simultaneous usage of CPU resources.*

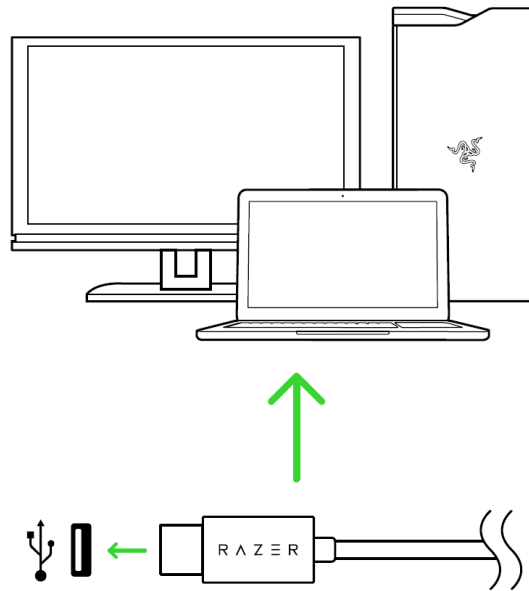
4. If you want to add audio commentary to your streams, simply connect a microphone to the microphone input port.



5. Connect an analog audio output device (such as a headphone) to the headphone port. This will allow you to listen to all audio being captured or streamed by the Razer Ripsaw HD at the same time.



6. INSTALLING RAZER SYNAPSE 3 FOR YOUR RAZER RIPS AW HD



Step 1: Make sure your Razer device is connected to the USB 3.0 port of your video capturing PC using the included USB 3.0 Type-C to Type-A cable.

Step 2: Install Razer Synapse 3 when prompted* or download the installer from [razer.com/synapse](https://www.razer.com/synapse)

Step 3: Register for a Razer ID or log in with an existing account.

 *Only use a USB 3.0 connection that can supply sufficient power to the Razer Ripsaw HD such as directly connecting to your PC's USB 3.0 ports or using a powered USB 3.0 hub.*

**Applicable for Windows 8 or later.*

7. CONFIGURING YOUR RAZER RIPSAW HD VIA RAZER SYNAPSE 3

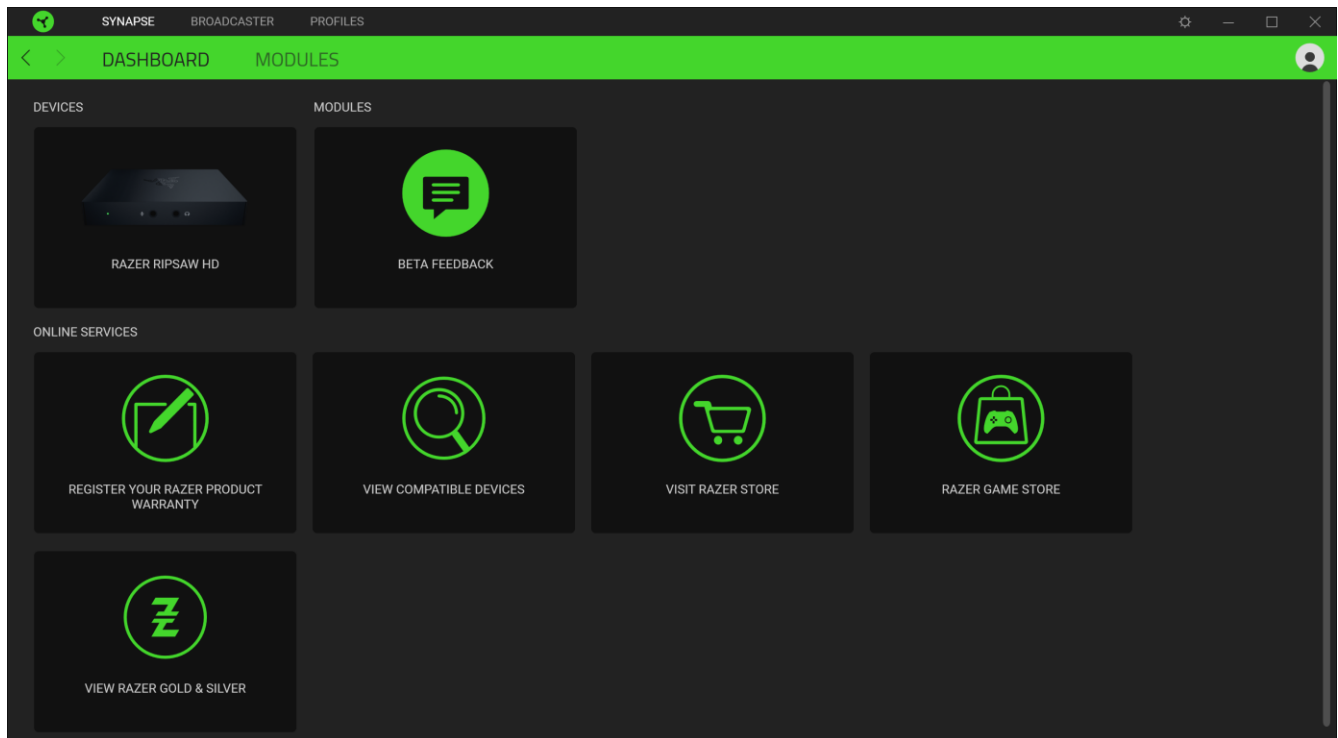
! *The features listed here require you to log into Razer Synapse 3. These features are also subject to change based on the current software version and your Operating System.*

SYNAPSE TAB

The Synapse tab is your default tab when you first launch Razer Synapse 3.

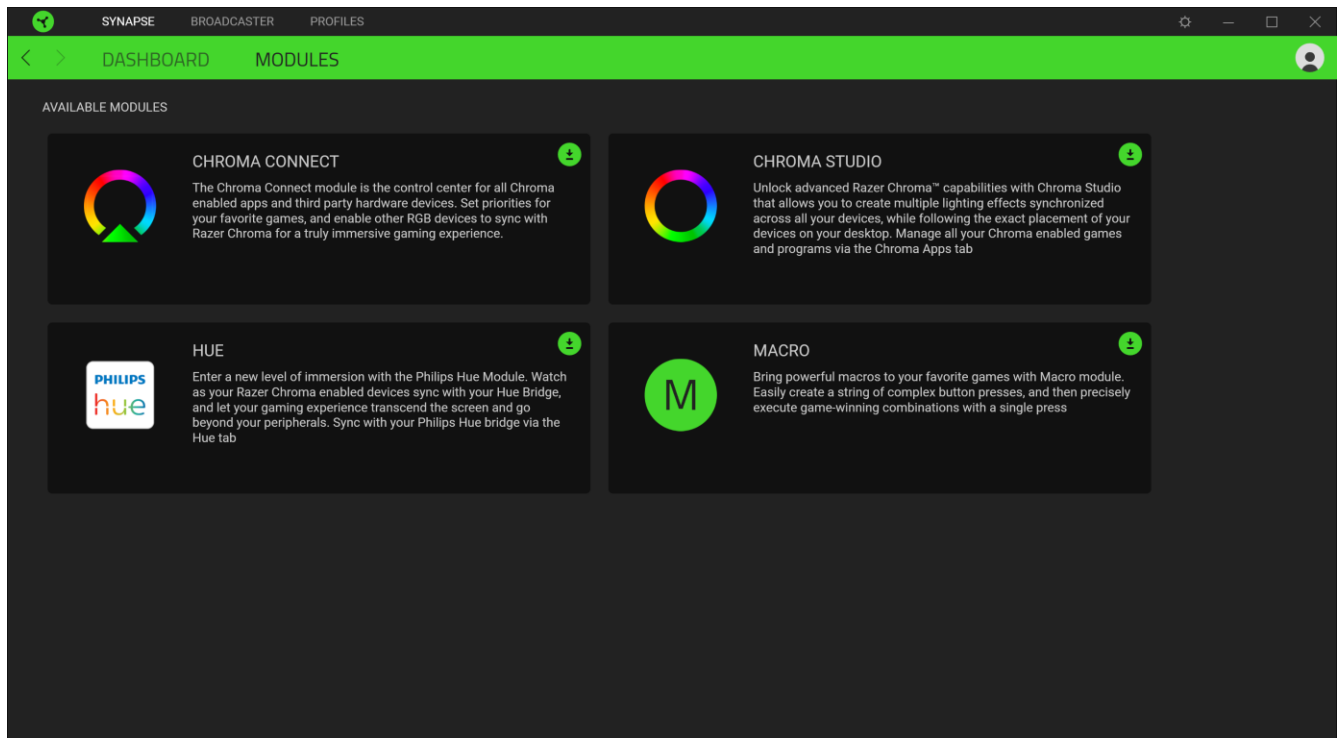
Dashboard

The Dashboard subtab is an overview of your Razer Synapse 3 where you can access all your Razer devices, modules, and online services.



Modules

The Modules subtab displays all installed and available modules for installation.

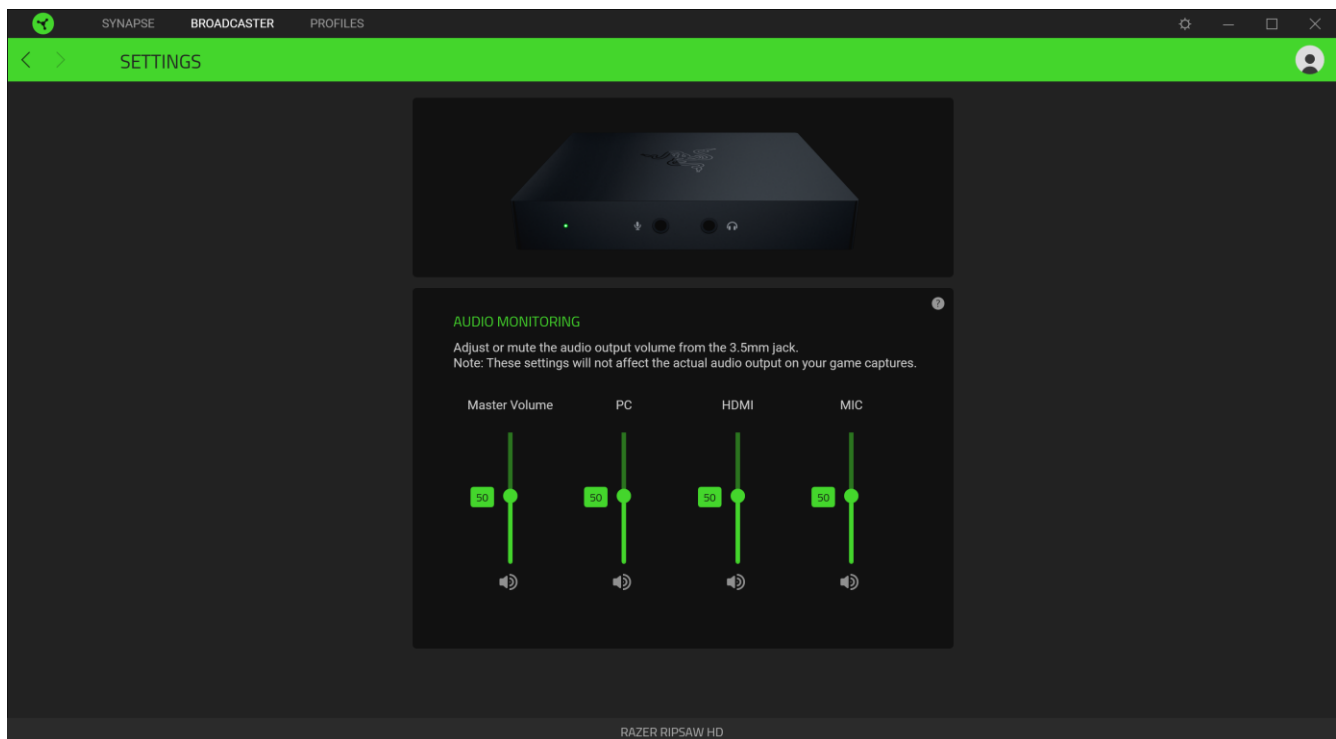


BROADCASTER

The Broadcaster tab is the main tab for your Razer Ripsaw HD. From here you'll be able to adjust or mute the volume of each or all audio outputs from the audio output device connected to the Headphone port.



These settings will only adjust what you can hear from the connected audio output device and will not affect the actual audio of your game captures.

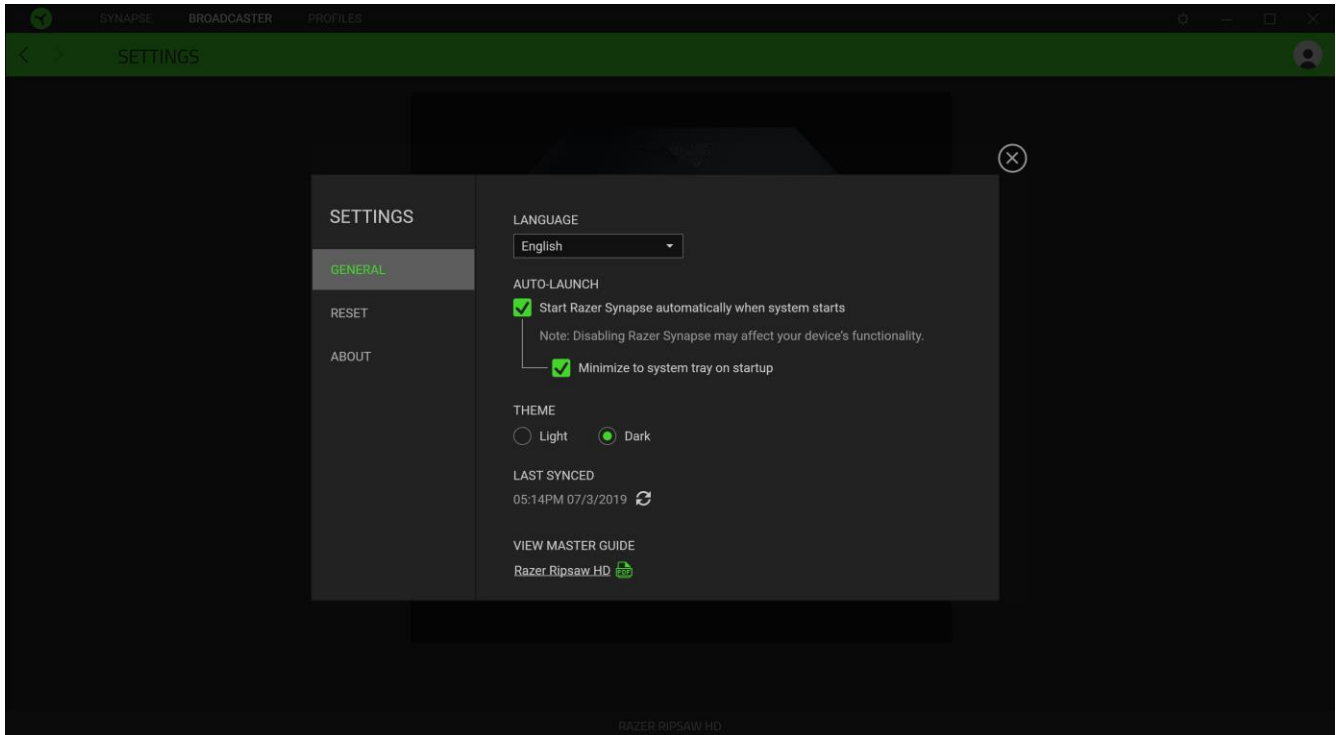


Listed below are the settings which you can control for audio monitoring:

- **Master Volume.** Simultaneously controls all audio monitoring settings.
- **PC.** Adjusts the audio output volume from the Type C port.
- **HDMI.** Adjusts the audio output volume from the HDMI input port.
- **Mic.** Adjusts the audio output volume from the Microphone input port.

SETTINGS WINDOW

The Settings window, accessible by clicking the (⚙️) button on Razer Synapse 3, enables you to configure the startup behavior and display language of Razer Synapse 3, view the master guides of each connected Razer device, or perform factory reset on any connected Razer device.




General tab

The default tab of the Settings window. The General tab enables you to change the software's display language, start-up behavior, and display theme. You may also manually sync your profiles to the cloud (🔄) or view the master guide of all connected Razer devices.

Reset tab

The Reset tab allows you to perform a factory reset on all connected Razer devices with on-board memory and/or reset Razer Synapse 3 tutorials to acquaint yourself again with Razer Synapse 3's new features on its next launch.

 *By resetting a Razer device, all profiles stored on the selected device's on-board memory will be erased.*

About tab

The About tab displays brief software information, copyright statement and provides relevant links for its terms of use. You may also use this tab to check for software updates, or as a quick access to Razer's social communities.

8. SAFETY AND MAINTENANCE

SAFETY GUIDELINES

In order to achieve maximum safety while using your Razer Ripsaw HD, we suggest that you adopt the following guidelines:

- Should you have trouble operating the Razer Ripsaw HD properly and troubleshooting does not work, unplug the game capture card and contact the Razer hotline or go to support.razer.com for assistance.
- Don't place the Razer Ripsaw HD on any unstable surface as the game capture card may fall.
- Don't take apart the device (doing so will void your warranty) and don't attempt to operate it under abnormal current loads.
- Don't use or place the game capture card and any of its components near water, moisture, or other wet surfaces; or place the game capture card near any heat, naked flame, or other hot surfaces such as radiators, stoves, fireplaces, and candles.
- When connecting external devices to your Razer Ripsaw HD, carefully plan how the cables will be placed. Protect any connected cables from being walked on or pinched, particularly at plugs, convenience receptacles, or the point where they exit from the game capture card.
- When unplugging any connected devices and/or cables, always pull the cable's or device's plug or connector. Don't forcefully tug on its cord.
- Don't place any heavy items on top of the game capture card.
- Don't puncture nor insert foreign objects into any of the device's openings.
- Keep the device away from liquid, humidity or moisture. Operate the game capture card only within the specific temperature range of 0°C (32°F) to 40°C (104°F). Should the temperature exceed this range, unplug and/or switch off the device in order to let the temperature stabilize to an optimal level.

MAINTENANCE AND USE

The Razer Ripsaw HD requires minimum maintenance to keep it in optimum condition. Once a month we recommend you unplug all connected cables and clean it using a soft cloth or cotton swab to prevent dirt buildup.

9. LEGALESE

COPYRIGHT AND INTELLECTUAL PROPERTY INFORMATION

©2019 Razer Inc. All rights reserved. Razer, the triple-headed snake logo, Razer logo, “For Gamers. By Gamers.”, and “Powered by Razer Chroma” logo are trademarks or registered trademarks of Razer Inc. and/or affiliated companies in the United States or other countries.

©2018 Google LLC All rights reserved. YouTube and the YouTube logo are trademarks of Google LLC.

Intel and Intel Core are trademarks of Intel Corporation or its subsidiaries in the U.S. and/or other countries.

NVIDIA and GeForce are registered trademarks of NVIDIA Corporation.

The terms HDMI and HDMI High-Definition Multimedia Interface, and the HDMI Logo are trademarks or registered trademarks of HDMI Licensing LLC in the United States and other countries.

TWITCH and the TWITCH logo are trademarks of Twitch Interactive, Inc. or its affiliates.

Windows, the Windows logo, Mixer, and the Mixer logo are trademarks of the Microsoft group of companies. All other trademarks are the property of their respective owners.

XSplit and XSplit Broadcaster are registered trademarks of Splitmedialabs Limited.

Razer Inc. (“Razer”) may have copyright, trademarks, trade secrets, patents, patent applications, or other intellectual property rights (whether registered or unregistered) concerning the product in this guide. Furnishing of this guide does not give you a license to any such copyright, trademark, patent or other intellectual property right. The Razer Ripsaw HD (the “Product”) may differ from pictures whether on packaging or otherwise. Razer assumes no responsibility for such differences or for any errors that may appear. Information contained herein is subject to change without notice.

LIMITED PRODUCT WARRANTY

For the latest and current terms of the Limited Product Warranty, please visit [razer.com/warranty](https://www.razer.com/warranty).

LIMITATION OF LIABILITY

Razer shall in no event be liable for any lost profits, loss of information or data, special, incidental, indirect, punitive or consequential or incidental damages, arising in any way out of distribution of, sale of, resale of, use of, or inability to use the Product. In no event shall Razer's liability exceed the retail purchase price of the Product.

GENERAL

These terms shall be governed by and construed under the laws of the jurisdiction in which the Product was purchased. If any term herein is held to be invalid or unenforceable, then such term (in so far as it is invalid or unenforceable) shall be given no effect and deemed to be excluded without invalidating any of the remaining terms. Razer reserves the right to amend any term at any time without notice.